



# Spare Parts

October 2010



PATERSON

WWW.PATERSON.CO.NZ

GROHE  
ENJOY WATER



# Instant Gratification & Long Term Value

GROHE Germany & Paterson NZ are so confident you will enjoy GROHE Dreamspray, we offer a 30 Day Enjoyment Money Back Guarantee\*.

With every GROHE Dreamspray product purchased for domestic use, you'll also enjoy our 15 year GROHE Limited Domestic Warranty\* for complete peace of mind.

\*Conditions apply - See website [www.paterson.co.nz](http://www.paterson.co.nz)



## Seat Hinge / Fixings

**Selling Price  
Excl. GST**



**Code: 9955 S0 61**  
Subway Pressalit  
Pressalit seat hinge mounting kit

171.15



**Code: 404146**  
Omnia Pro 34A  
34A soft close seats  
Hinge fixings

42.00



**Code: 400023**  
Omnia Pro 93A Standard Seat  
93A stainless seat hinges

25.46



**Code: 404173 (set)**  
Omnia Pro 34A  
White for lid  
Green for seat

157.50



**Code: 9220 14 00**  
Subway Pressalit  
Soft close dampers

212.10



Top Fix Seat Anchors  
**Code: 9955** - 5mm  
**Code: 9955-1** - 6mm  
Pressalit seat hinge mounting kit

8.40

8.40

## Cistern / VC Accessories

**Selling Price  
Excl. GST**



**Code: 37092**  
Grohedal Inlet Valve

73.66



**Code: 43722**  
Grohedal Fill Valve  
Membrane kit (red)

29.78



**Code: 43733**  
Grohedal Fill Valve  
Membrane red / clear

13.31



**Code: 43544**  
Grohedal Flush Valve  
Cartridge

40.15



**Code: 8422 33 00**  
Geberit Inlet Valve

131.25



**Code: X90052**  
Geberit Fill Valve  
Washer kit (blue)

80.48



**Code: X9005**  
Geberit Flush Valve  
Outlet seal

23.51

## Cistern / VC Accessories

**Selling Price  
Excl. GST**



**Code: 9208 87 00**

17.24

Doughnut  
Seal Cistern / Pan

Cistern / Pan Fixing



**Code: 43500GB** - Geberit Flush Valve

63.00

Doughnut: 96mm OD, 66mm ID, 10mm thick

**Code: 43500** - Grohedal Flush Valve

63.00

Doughnut: 105mm OD, 70mm ID, 15mm thick



**Code: 9218 16 00**

48.30

Subway Black Dowell - For Wall Hung Pan



**Code: 9218 25 01**

144.90

Subway / Aveo Fixing Kit - For Wall Hung Pan



**Code: 9208 24 01**

39.73

BTW WC Bolt Fixing Set



**Code: 8701 00 00**

71.00

Pan Connector - 160-250mm



**Code: 8711 00 00**

71.00

Pan Connector - 70-160mm



**Code: 37489**

11.21

Grohedal Flush Pipe Inlet Set  
For inwall cistern, key seal Ø 45mm



**Code: BOLT SET 1**

21.00

Washbasin Fixing - M10 X 120mm



**Code: 0000200-BLUE** - Wall Hung Pan Bracket

117.60

**Code: 0000200-KIT** - Fixing Kit for 0000200-BLUE

25.00

## Cistern Valves

**Selling Price  
Excl. GST**



**Code: 9218 09 61**  
Geberit Dual Flush Button  
Button only

39.18



**Code: 8422 34 NEW**  
Geberit Flush Valve

132.91



**Code 37085 PI**  
Grohedal Interruptable Flush Valve

109.70



**Code: 42253**  
Grohedal Dual Flush Valve  
Pre 2008 for a 38661

112.35



**Code: 42320**  
Grohedal Dual Flush Valve  
Inwall Cistern AV1  
Post 2008 for a 38661

74.55



**Code: 43540**  
Tension Rod

12.22



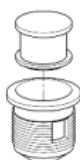
**Code: 43535**  
Grohedal Flush Valve Rod

12.22



**Code: 37117PI**  
Grohedal Push Button

21.00



**Code: 37115PI**  
Grohedal Push Button for Single Flush

19.00

## Wall Unions / Shower Accessories

**Selling Price  
Excl. GST**



**Code: X1000**  
Wall Union

19.95



**Code: 28405**  
Movario Wall Union

82.95



**Code: 28626**  
Relaxa Plus Top 4 Wall Union

77.70



**Code: 28671**  
Relaxa / Tempesta Wall Union

62.69



**Code: 14165**  
Non Return Valve  
1/2 "

26.64



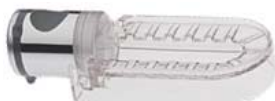
**Code: 00422**  
Relaxa Joint Elbow  
Off a 07659 Sliding Element

17.24



**Code: 28856**  
Tempesta Soap Dish  
25mm

40.00



**Code: 28631**  
Top 4 Soap Dish  
28mm

59.55



**Code: 07659**  
Sliding Element  
Tempesta / Relaxa Exquisit

76.79



**Code: 45650IP**  
Sliding Element  
Relaxa Top 4

97.16



**Code: 06765**  
Sliding Element  
Cosmo rail (code: 28797)

160.00



**Code: 28635**  
Male Coupling for Relaxa handpiece (code: 28178)

19.40

## Shower Hoses

**Selling Price  
Excl. GST**



Silverflex Shower Hose  
**Code: 28388** - 1750mm  
**Code: 28364** - 1500mm

76.00  
65.00



Relexa Hose  
**Code: 28150** - 1250mm  
**Code: 28151** - 1500mm

52.50  
52.00



**Code: 28155**  
Relexa Hose  
2000mm

59.55



**Code: 28158**  
Metal Hose for Relexa Plus  
Rim Shower 27162  
2000mm

97.16



**Code: 28161**  
Relexa Hose Low Pressure  
1500mm

91.35



Movario / Rainshower  
Shower Hose  
**Code: 28409** - 1500mm  
**Code: 28410** - 1750mm

75.60  
68.96

## Shower Heads

**Selling Price  
Excl. GST**



**Code: 28214**  
Tempesta Single Spray handpiece

97.00



**Code: 28578**  
Tempesta Trio Handpiece

102.00



**Code: 28178**  
Relaxa Plus Handshower Top 4

191.00



**Code: 28393**  
Movario Handspray Top 5

266.00



Rainshower Cosmo Handpiece  
**Code: 28756** - 160mm  
**Code: 28755** - 130mm

257.00  
301.00



**Code: 27265**  
Euphoria Single Spray

97.00



**Code: 27220**  
Euphoria Single Spray With Dimmer

132.00



**Code: 27221000**  
Euphoria Massage Spray

168.00



**Code: 28034**  
Sena Single Spray

257.00

## Shower Heads / Rails

**Selling Price  
Excl. GST**



Rainshower Icon Handpiece  
**Code: 27276** - Grey  
**Code: 27276LS0** - Moon White

266.00



Rainshower Eco Handpiece  
**Code: 27274** - Grey  
**Code: 27274LS0** - Moon White

266.00



Rainshower Solo Handpiece  
**Code: 27272** - Grey  
**Code: 27272LS0** - Moon White

266.00



**Code: 28621**  
Relexa Plus Top 4 - 1 Metre Rail

177.00

**Code: 28819**  
Cosmopolitan, 600-900mm

385.35

**Code: 28666**  
Tempesta, 600mm

134.40

## Cartridge Identifier

**Selling Price  
Excl. GST**

Find your handle & match the cartridges

**Shower Cartridge: Code 46048**

**122.24**

**Basin Cartridge: Code 46374**

**141.75**

Essence



Taron



Euroslim



Eurofresh



Eurostyle



Tenso



Ectos



Europlus 2nd generation



Eurosmart



Eurodisc 4th generation



Concetto



Lineare



Eurostyle 2nd generation



**Shower Cartridge: Code 46048**

**122.24**

**Basin Cartridge: Code 46580**

**182.00**

Allure



# Cartridge Identifier

**Selling Price  
Excl. GST**

Find your handle & match the cartridges

**Shower Cartridge: Code 46048**

**122.24**

**Basin Cartridge: Code 46048**

**122.24**

Euroeco



Eurodisc 1st generation



Eurodisc 2nd generation



Eurodisc 3rd generation



Europlus Classic



Chiara 1st generation



Eurowing



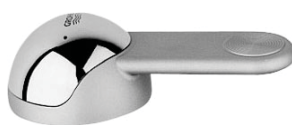
Europlus



Chiara 2nd generation



Eurotrend



Eurosolid



## Tapware

**Selling Price  
Excl. GST**



**Code: HGS1**  
Handle Grub Screw

14.70



**Code: 07146**  
Head Part 1/2"

15.67



**Code: 07025**  
3/4" Headworks

50.00



**Code: 00006**  
Tailpipe Adapters 1/2" X 10mm

16.15



**Code: 46008**  
Diverter Button Only

65.82



**Code: 46058**  
Diverter Piston Complete

101.87



**Code: HI1**  
Heat Insulator  
Version 1

14.70



**Code: HI2**  
Heat Insulator  
Version 2

14.70



**Code: 46335**  
Single Lever Mixer Mounting Set  
Including Heat Insulator

25.00

## Tapware

**Selling Price  
Excl. GST**



**Code: 46048**  
Ceramic Cartridge  
46mm

122.24



**Code: 46374**  
Ceramic Cartridge  
35mm

141.75



**Code: 07000**  
Euromix Cartridge

126.12



**Code: 46023**  
Euromix Headpart Complete

82.46



**Code: 13928**  
Mousseur

24.15



**Code: 13929**  
Mousseur

29.07



**Code: 13937**  
Mousseur

50.40



**Code: 46308**  
Temperature Limiter  
For ceramic cartridge 46048

17.24



**Code: 46375**  
Temperature Limiter  
For ceramic cartridge 46374

18.90

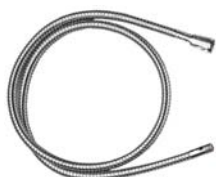
## Accessories

**Selling Price  
Excl. GST**



**Code: 46312IE**  
Zedra / Europlus Kitchen Mixer  
Extractable Hand Spray

112.84



**Code: 46092**  
L/Lux E/Plus Kitchen Hose

78.36



**Code: 46315**  
Snap Coupling Pull Out Spray Kitchen Hose

63.06



**Code: 06625**  
Talentofill Plug  
Chrome (bath)

67.20



**Code: 07182**  
Pop Up Plug  
For pop up waste (basin)

34.48



**Code: 28910**  
Grohe Pop Up Waste Set  
For basin

82.38



**Code: 45831**  
Grohclean Spray  
500ml

30.00

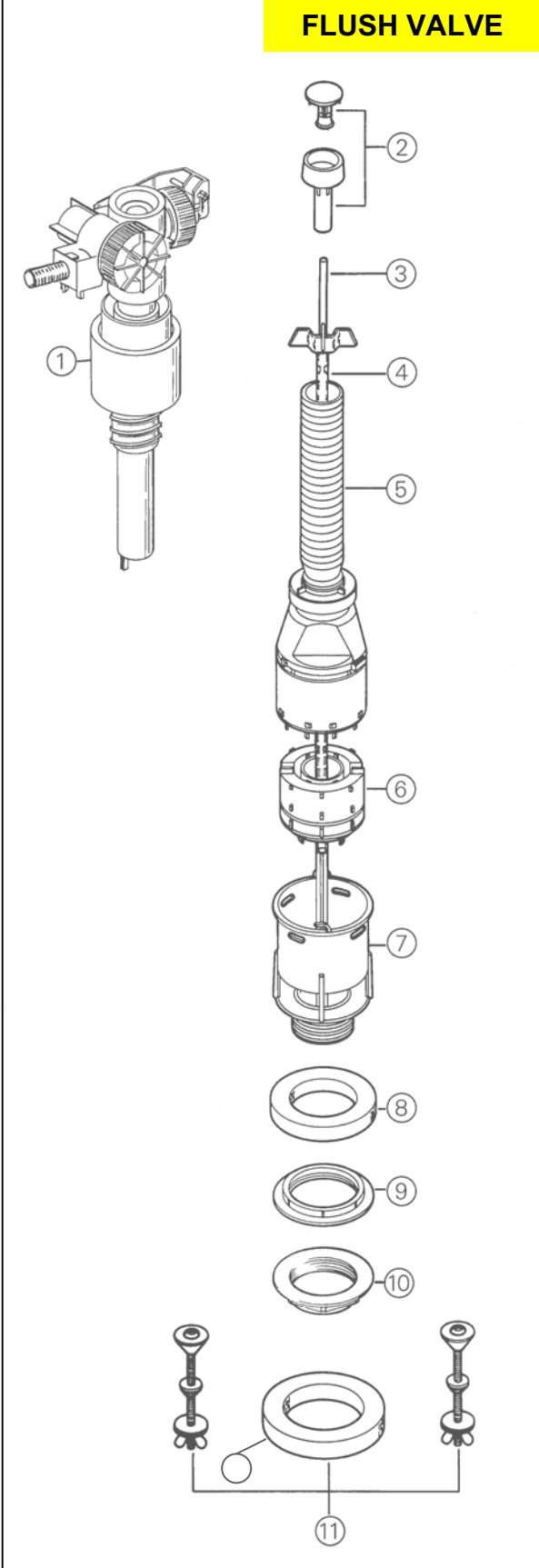


# Villeroy & Boch

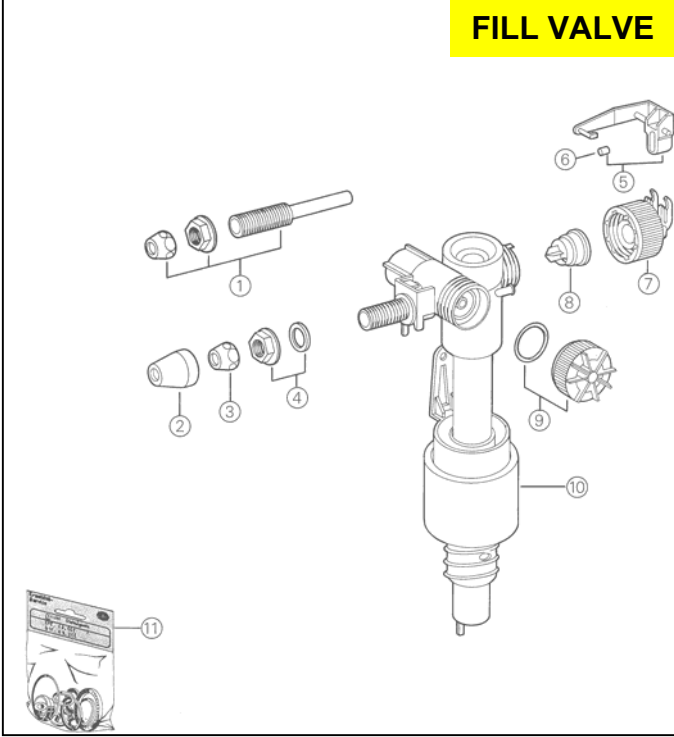
1748

## GROHEDAL INTERRUPTED FLUSH PARTS & SERVICE

### FLUSH VALVE



### FILL VALVE

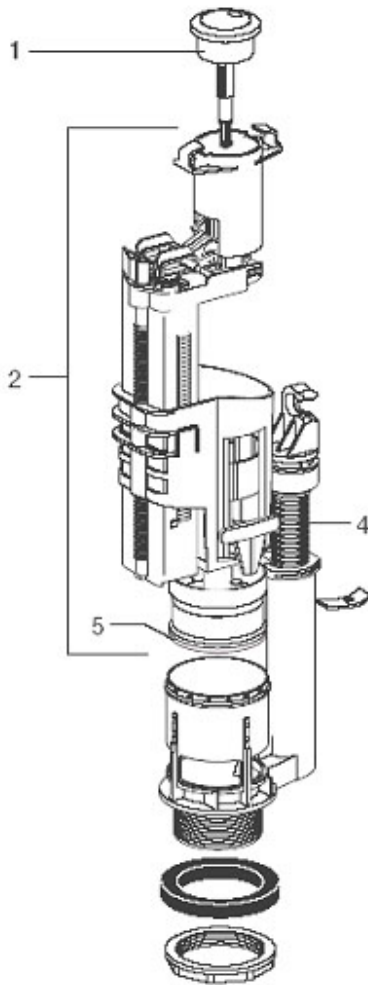


PART	CODE	DESCR	FILL VALVE
	<b>37092</b>	<b>Complete Fill Valve</b>	
1	37124SH	Inlet Adapter	
2	43234SH	Escutcheon	
3	43258	Pinch Screw 10mm - 1/2"	
4	43262	Inlet Screw & Seal	
5	43734	Lever	
6	43770	Lever Gasket	
7	43536	Valve Head	
8	43733	Membrane	
9	43735	Screw Cap	
10	43791	Valve Float	
11	43722	Sealing Set of all Washers in valve	

PART	CODE	DESCRIPTION	FLUSH VALVE
	<b>37085PI</b>	<b>Complete Flush Valve</b>	
2	37115PI	Dal Push Button Chrome	
3	43535	Compression Rod	
4	43540	Tension Rod	
5	43486	Servo Outlet Valve	
6	43544	Flush Valve Cartridge	
7	43533	Housing	
8	43745	Gasket 58i x 95a	
9	43746	Centric Ring 60i x 70a	
10	43311	Octagonal Nut	
11	43500	Fixing Set	
11A	9207 87 00	Seal Between Cistern/WC	

# GEBERIT (2004) DUAL FLUSH PARTS & SERVICE

## FLUSH VALVE



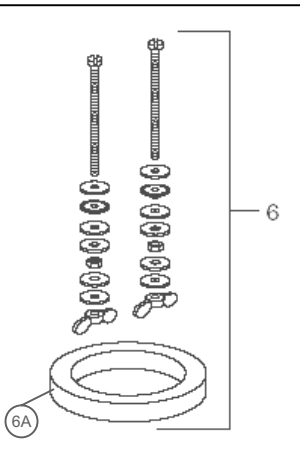
PART	CODE	DESCRIPTION
------	------	-------------

### FLUSH VALVE

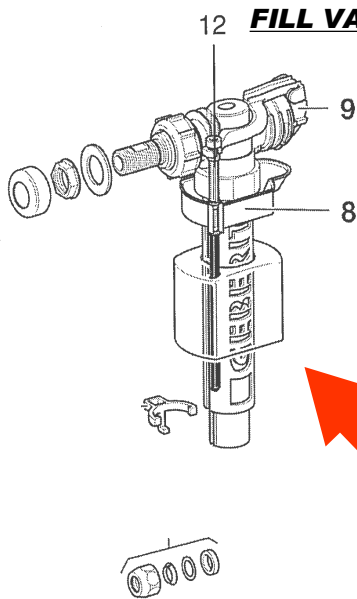
	8422 34 NEW	COMPLETE FLUSHING VALVE
5	X9005	OUTLET SEAL
1	9218 09 61	MECHANISM PUSH BUTTON
6	43500	FIXING SET
6A	9207 87 00	SEAL BETWEEN CISTERN & PAN

### FILL VALVE

8	8422 33 00	COMPLETE FILLING VALVE
9	X90052	FILL VALVE WASHER KIT



## FILL VALVE



### Filling valve does not close:

Remove the diaphragm cover (9). Clean the diaphragm, the diaphragm seat and the diaphragm cover (9) under running water. Refit the diaphragm cover (9). Should this measure fail to have the desired effect, **the diaphragm must be replaced.**

### Increasing the Volume of Water:

Screw the threaded rod (12) up/down to raise/lower the float.

**NEW FILLING** (year 2004) VALVE HAS GEBERIT ENGRAVED ON CENTRE STEM



# SERVICE REQUEST FORM

To Paterson Trading  
Fax. 09 377 4739  
Email. enquiries@paterson.co.nz

\* Required Fields (these MUST be filled)

## Merchant Details

Merchant\* \_\_\_\_\_ Branch\* \_\_\_\_\_  
Phone\* \_\_\_\_\_ Fax\* \_\_\_\_\_  
Contact\* \_\_\_\_\_ Date\* \_\_\_\_\_

## Customer Details

Name\* \_\_\_\_\_  
Address\* \_\_\_\_\_ Mobile \_\_\_\_\_  
City / Sub\* \_\_\_\_\_ Hm Ph\* \_\_\_\_\_  
Work Ph \_\_\_\_\_

Comments \_\_\_\_\_  
(ie: Contact, times)

## Product Details

Code\* \_\_\_\_\_ Description\* \_\_\_\_\_ Quantity\* \_\_\_\_\_  
Proof of Purchase\* \_\_\_\_\_  
(ie: O/No, Inv No, P/Slip No)  
Installation Date\* \_\_\_\_\_  
Installation Plumber Details \_\_\_\_\_

## Product Details

\_\_\_\_\_  
\_\_\_\_\_  
\_\_\_\_\_

The signing of this service request form means you have read/understand and agree to the terms below:

Pending Order/No\* \_\_\_\_\_  
(Read terms below)  
Name & signature of Requester\* \_\_\_\_\_

**Terms of Service request:** Paterson Trading will replace or repair at our discretion any faulty product. Paterson Trading will also cover directly related lost time incurred by the tradesman due to faulty product.  
However if the cause of the fault is found not to be manufacturing related or not a Paterson Trading product, then the originating Merchant of this request will be invoiced by Paterson Trading for all costs incurred.  
**Please supply an order number in the field above which will only be activated if the fault is not warranty related.**

# GROHE®



ENJOY WATER

## Cause Life Isn't Always Equal



## GROHE now for unequal pressures



paterson.co.nz

Also available



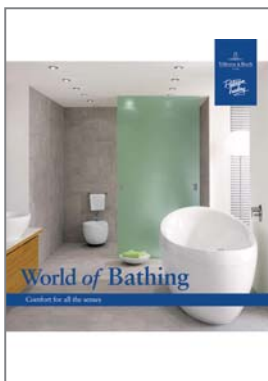
Luxury Bathroom Fittings Catalogue



Luxury Kitchen Fittings Catalogue



Luxury Shower Fittings Catalogue



World of Bathing Villeroy & Boch



Subway Collection Villeroy & Boch



Omnia Pro Collection Villeroy & Boch