

Rapid SL

Inwall Cistern With Installation Frame



Product Details

Specifications: 6/3L pneumatic dual flush, kit includes cistern, push plate, water inlet set, outlet bend, pan & frame fixings in a fully adjustable installation frame
150mm wall cavity required

Cistern kit with faceplate options of:

Product Codes:

Skate 38528-SK

Cosmo 38528-CO

Surf 38528-SU

Nova 38528-NC

Skate Air 38528-SA



Skate



Nova



Surf



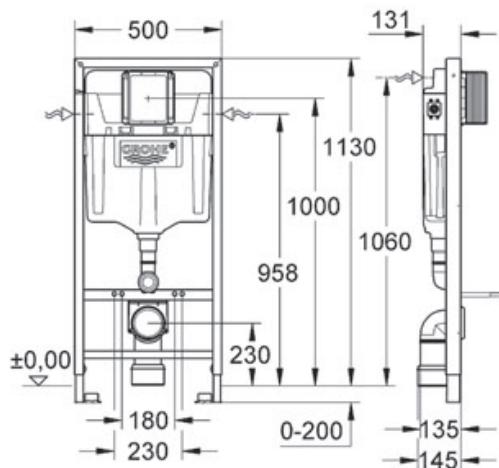
Skate Air



Cosmo



Product Dimensions



Inlet connection of angle valve 1/2"
Water inlet either left, right, back or top
Flush volume - Dual flush 6 litres max
Minimum flow pressure - 15psi

